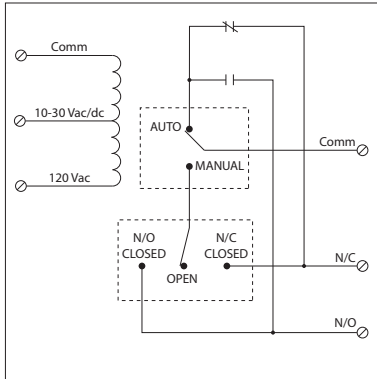


15 AMP TRACK MOUNT CONTROL RELAYS

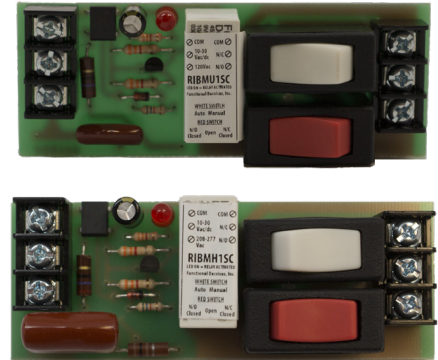
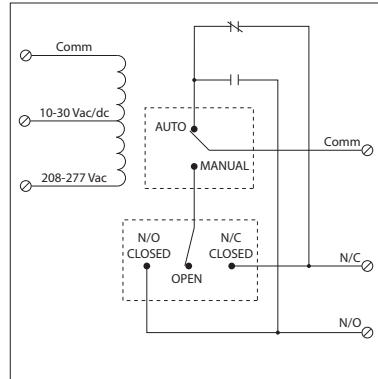
RIBMU1SC

4.00" Track Mount Relay 15 Amp SPDT +
Override with 10-30 Vac/dc/120 Vac Coil



RIBMH1SC

4.00" Track Mount Relay 15 Amp SPDT +
Override with 10-30 Vac/dc/208-277 Vac Coil



RELAYS

SPECIFICATIONS

Relays & Contact Type: One (1) SPDT Continuous Duty Coil
Expected Relay Life: 10 million cycles minimum mechanical
Operating Temperature: -30 to 140° F
Humidity Range: 5 to 95% (noncondensing)
Operate Time: 20ms
Relay Status: LED On = Activated
Dimensions: 1.500" x 4.000" x 1.750"
Track Mount: 4.000", See MT4 Series on page 152
MT4 Mounting Track Sold Separately
Approvals: UL Listed, UL916, UL864, C-UL
 California State Fire Marshal
Gold Flash: Yes
Override Switch: Yes (2)

Contact Ratings:
 15 Amp Resistive @ 150 Vac
 10 Amp Resistive @ 277 Vac
 480 VA Pilot Duty @ 277 Vac
 480 VA Ballast @ 277 Vac
Not rated for Electronic Ballast
 600 Watt Tungsten @ 120 Vac (N/O)
 240 Watt Tungsten @ 120 Vac (N/C)
 1/3 HP @ 120-240 Vac (N/O)
 1/6 HP @ 120-240 Vac (N/C)
 1/4 HP @ 277 Vac (N/O)
 1/8 HP @ 277 Vac (N/C)

Coil Current:

33 mA @ 10 Vac	13 mA @ 10 Vdc
35 mA @ 12 Vac	15 mA @ 12 Vdc
46 mA @ 24 Vac	18 mA @ 24 Vdc
55 mA @ 30 Vac	20 mA @ 30 Vdc
28 mA @ 120 Vac (RIBMU1SC)	
39 mA @ 208-277 Vac (RIBMH1SC)	

Coil Voltage Input:
 10-30 Vac/dc; 120 Vac; 50-60 Hz (RIBMU1SC)
 10-30 Vac/dc; 208-277 Vac; 50-60 Hz (RIBMH1SC)
 Drop Out = 2.1 Vac / 2.8 Vdc
 Pull In = 9 Vac / 10 Vdc